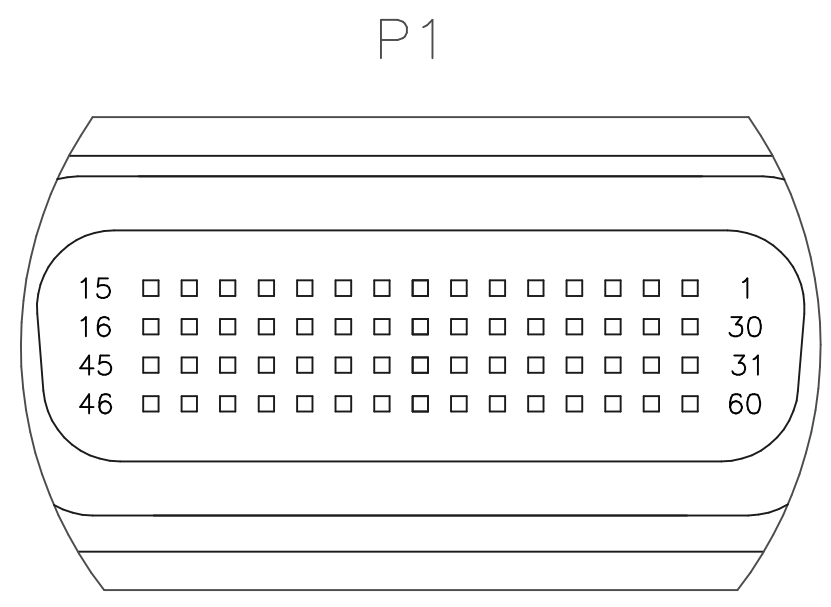


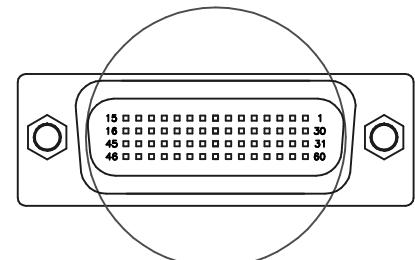
WIRE CHART

| WIRE NO. | WIRE ITEM NO. | COLOR | FROM | TERM ITEM NO. | TO | TERM ITEM NO. | SIGNAL (REF) |
|----------|---------------|--------|-------|---------------|-------|---------------|--------------|
| 1 | | BROWN | P1-1 | 6/7 | P2-1 | 3/4 | EXT_INT-0 |
| 2 | | TAN | P1-30 | 6/7 | P2-2 | 3/4 | GND |
| 3 | | RED | P1-2 | 6/7 | P2-3 | 3/4 | EXT_INT-1 |
| 4 | | TAN | P1-29 | 6/7 | P2-4 | 3/4 | GND |
| 5 | | ORANGE | P1-3 | 6/7 | P2-5 | 3/4 | EXT_INT-2 |
| 6 | | TAN | P1-28 | 6/7 | P2-6 | 3/4 | GND |
| 7 | | YELLOW | P1-4 | 6/7 | P2-7 | 3/4 | EXT_INT-3 |
| 8 | | TAN | P1-27 | 6/7 | P2-8 | 3/4 | GND |
| 9 | | GREEN | P1-5 | 6/7 | P2-9 | 3/4 | EXT_INT-4 |
| 10 | | TAN | P1-26 | 6/7 | P2-10 | 3/4 | GND |
| 11 | | BLUE | P1-6 | 6/7 | P2-11 | 3/4 | EXT_INT-5 |
| 12 | | TAN | P1-25 | 6/7 | P2-12 | 3/4 | GND |
| 13 | 2 | VIOLET | P1-7 | 6/7 | P2-13 | 3/4 | EXT_INT-6 |
| 14 | | TAN | P1-24 | 6/7 | P2-14 | 3/4 | GND |
| 15 | | GRAY | P1-8 | 6/7 | P2-15 | 3/4 | EXT_INT-7 |
| 16 | | TAN | P1-23 | 6/7 | P2-16 | 3/4 | GND |
| 17 | | WHITE | P1-9 | 6/7 | P2-17 | 3/4 | EXT_INT-8 |
| 18 | | TAN | P1-22 | 6/7 | P2-18 | 3/4 | GND |
| 19 | | BLACK | P1-10 | 6/7 | P2-19 | 3/4 | EXT_INT-9 |
| 20 | | TAN | P1-21 | 6/7 | P2-20 | 3/4 | GND |
| 21 | | BROWN | P1-11 | 6/7 | P2-21 | 3/4 | EXT_INT-10 |
| 22 | | TAN | P1-20 | 6/7 | P2-22 | 3/4 | GND |
| 23 | | RED | P1-12 | 6/7 | P2-23 | 3/4 | EXT_INT-11 |
| 24 | | TAN | P1-19 | 6/7 | P2-24 | 3/4 | GND |
| 25 | | ORANGE | N/C | . | N/C | . | . |
| 26 | | TAN | N/C | . | N/C | . | . |

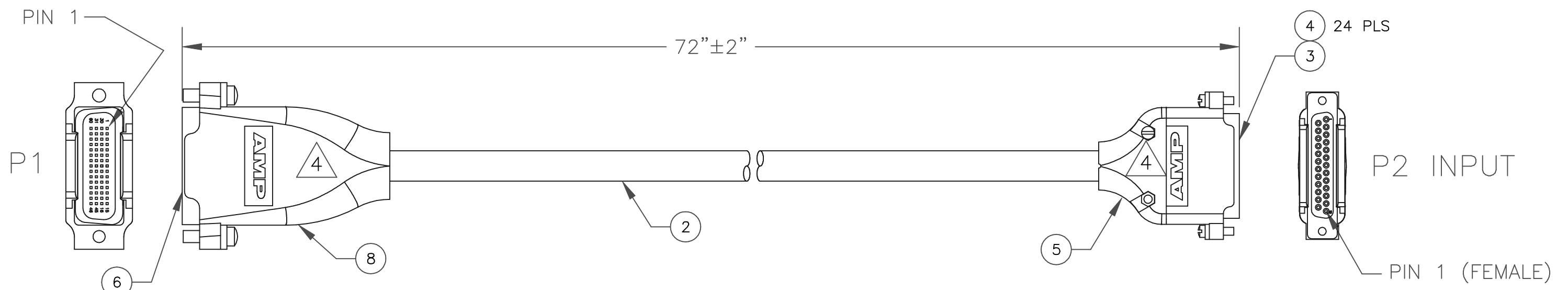
| REVISIONS | | | |
|-----------|--|---------|----------|
| LTR | DESCRIPTION | DATE | APPROVED |
| 1 | ENGINEERING REVISION 4/15/16, K. PHAN | 4/15/16 | G. S. |



Viewed from Back



Viewed from Back



| | | | |
|-------|---|-------------|--|
| 0.2ft | 9 | 3720067-002 | COPPER FOIL TAPE, 1/2" W/CONDUCTIVE ADHESIVE (3M# 80-0180-0265-1) |
| 1 | 8 | 2120166-601 | HOOD, DB-15 METALIZED PLASTIC RoHS (TYCO# 5747099-1) |
| 4 | 7 | 2125077-102 | MOLDED CONTACT ASSY., 15 CKT LFH PLUG RoHS (MOLEX# 70984-1002) |
| 1 | 6 | 2125077-101 | CONNECTOR, 60 SKT, .05, I/O PLUG RoHS (MOLEX# 70929-2000) |
| 1 | 5 | 2120166-602 | HOOD, DB-25 METALIC PLASTIC RoHS (TYCO# 5745833-1) |
| 24 | 4 | 2120166-300 | CONTACT, 20-24 AWG FEMALE RoHS (TYCO# 66504-3) |
| 1 | 3 | 2120166-103 | CONNECTOR, DB-25 FEMALE RoHS (TYCO# 207463-1) |
| 6ft | 2 | 6020189-001 | CABLE, 28 AWG 13 TW/PRS SHIELDED (AMPHERNOL SPECTRA STRIP# 169-2832-026) |
| X | 1 | THIS DWG | CABLE ASSY., PWM IN INTERFACE. |

NOTES:

- WORKMANSHIP TO BE PER IPC 620.
- MARK ASSY NO. 1861230, APPLICABLE DASH NO. AND REVISION PER CONCURRENT SPEC 9004-5, BLACK.
- MANUFACTURING TO IDENTIFY EACH END OF CABLE WITH REFERENCE DESIGNATION.
- WRAP ITEM# 9, 2" LONG AROUND CABLE SHIELD BEFORE INSTALLING HOOD.

| QTY | ITEM NO. | PART NO. | DESCRIPTION |
|-----|----------|----------|-------------|
| 901 | | | |

| | |
|--|-------------------------------|
| ALL DIMENSION ARE IN INCHES UNLESS OTHERWISE SPECIFIED | |
| TOLERANCE | ANGLE ± 1/2" |
| .X ± - | HOLES ± .003 |
| .XX ± .02 | SURFACE ROUGHNESS - |
| .XXX ± .010 | |
| DEV NO. | |
| MATERIAL | |
| FINISH | |
| DASH NO. THIS DWG. | NEXT ASSY USED ON APPLICATION |

CONCURRENT COMPUTER CORPORATION

| | | |
|------------|------------|---------|
| DRAFTER | K. PHAN | 4/15/16 |
| CHECKER | . | . |
| MECH. ENG. | . | . |
| ELEC. ENG. | . | . |
| PROJ. ENG. | G. SKANTAR | 4/15/16 |

INFORMATION DISCLOSED HERE IS THE PROPERTY OF THE CONCURRENT COMPUTER CORPORATION AND SHALL NOT BE DISCLOSED OR USED FOR ANY OTHER PURPOSES EXCEPT AS SPECIFIED BY CONTRACT BETWEEN THE RECIPIENT AND THE CONCURRENT COMPUTER CORPORATION. DUPLICATION OF ANY PORTION OF THIS DATA SHALL INCLUDE THIS LEGEND.

**CABLE ASSY.,
PWM IN INTERFACE**

| | | | |
|------|----------------|-------------|-----|
| SIZE | CODE IDENT NO. | DRAWING NO. | REV |
| C | 30331 | 1861230 | 1 |

| | | |
|-------------|------------------|--------------|
| SCALE: NONE | CONT. ON SHEET - | SHEET 1 OF 1 |
|-------------|------------------|--------------|

1861230